

# SPECIFICATION FOR OPTICAL FIBER CLOSURES

---

NWCSC-0105-02  
**(REVISED : 2003. 03. 12)**



## CONTENTS

1. GENERAL .....	3
2. SCOPE .....	3
3. PRODUCT DESCRIPTION .....	3
4. REQUIREMENTS .....	3
5. MATERIALS .....	4
5.1 General .....	4
5.2 External plastic materials.....	4
5.3 Metallic materials.....	4
5.4 Internal plastic materials .....	4
5.5 Material Toxicity .....	4
5.6 Performance Verification .....	5
6. FUNCTIONAL REQUIREMENTS.....	5
7. TEST PROCEDURES .....	6
7.1 Installed Products Test Procedures .....	6
7.2 Visual Examination .....	7
7.3 Tightness Test.....	7
7.4 Residual Loss .....	7
7.5 Fiber Organization .....	7
7.6 Vibration Test.....	7
7.7 Axial Tension Test .....	8
7.8 Torsion Test .....	9
7.9 Flexure Test .....	9
7.10 Impact.....	10
7.11 Static Load Test.....	11
7.12 Handling Test.....	11
7.13 Environmental Cycling Test.....	12
7.14 Chemical Resistant Test.....	13
7.15 Water Immersion Test.....	13
7.16 Dielectric Test .....	13
7.17 UV Resistance Test.....	13
7. Kit Contents .....	14
8. Dimension Specification .....	15
8.1 FOCSS .....	15
8.2 FOCS.....	16
8.3 FOCM.....	17
8.4 OST-A-1 .....	18
8.5 OST-B-1.....	18

## 1. GENERAL

The splice closures can be used in underground, aerial, building entrance, Central Office Vault and pedestal application.

## 2. SCOPE

This specification covers the minimum standards and requirements for the installation, properties, testing and packing of splice closures to be used on optical fiber cables in the telecommunication network.

This specification describes the performance and material testing methods, and the quality assurance provisions for the closures.

## 3. PRODUCT DESCRIPTION

The closure consists of outer cases, end caps, trays and inner kits. The splice closures have two cable entrance ports on each end.

The outer cases consists of the upper and lower housing and constructed of highly chemical resistant material and attached a pressure valve on the upper housing.

The trays are able to accommodate 24 individual fiber fusion or 12 individual fiber mechanical splices.

## 4. REQUIREMENTS

- 4.1 The upper and the lower housing of closure shall be manufactured from a material.
- 4.2 The metal parts of closures shall be resistant to corrosion.
- 4.3 The product components shall withstand storage at temperatures of -30 to 55°C (-22 to 131 °F).
- 4.4 The components of the closures shall be free of the defect that would adversely affect product performance.
- 4.5 The splice closures can be installed at temperatures -10 to 55°C.
- 4.6 The splice closures shall allow the accommodation of the fibers with a nominal bending radius of 38mm.

4.7 The kits shall contain all the necessary components for a complete installation.

## **5. MATERIALS**

### **5.1 General**

Optical fiber splice closures are mostly deployed in severe environments and should be durable within the expected lifetime of 20 years. This section specifies the optical fiber splice closure and its material requirements.

Materials used for optical splice closure system is compatible with all cable components and splicing materials.

### **5.2 External plastic materials**

External plastic materials are colored black and are resistant to chemical.

External plastic materials are ultra violet resistant.

### **5.3 Metallic materials**

All external metal components are stainless steel or metal with equivalent corrosion resistance

The metallic closure materials are not capable of inducing significant galvanic corrosion effects when in contact with other metals likely to be present in the closure's environment.

All internal metal components are suitably protected against corrosion.

### **5.4 Internal plastic materials**

The Internal components of optical fiber splice closure are made of high quality of plastic resin.

### **5.5 Material Toxicity**

The components of optical fiber splice closure and its accessories don't contain any hazardous or toxic materials.

**5.6 Performance Verification**

Routine inspection tests are performed for performance verification.

is complied to generic requirements for fiber optic splice closure based on the Telcordia Specifications.

**6. FUNCTIONAL REQUIREMENTS**

Test Item	Test Methods and conditions	Requirements
Appearance		No defects which would adversely affect product performance.
Tightness	<ul style="list-style-type: none"> <li>- Internal pressure: 6psi</li> <li>- Test temperature : 23±3 °C</li> <li>- Test time : 15 minutes</li> </ul>	Tightness
Residual loss	<ul style="list-style-type: none"> <li>- Source wavelength : 1550nm</li> </ul>	<0.1dB per incoming fiber
Fiber Organization	<ul style="list-style-type: none"> <li>- Source wavelength : 1550nm</li> </ul>	<0.1dB per incoming fiber
Vibration	<ul style="list-style-type: none"> <li>- Test pressure : 6psi</li> <li>- Vibration:(5~55Hz, 1min./cycle)</li> <li>- Amplitude : 1mm</li> <li>- Test time : 2 hrs</li> </ul>	Tightness <1psi <0.1dB per incoming fiber
Axial Tension	<ul style="list-style-type: none"> <li>- Source wavelength : 1550nm</li> <li>- Load/Cable: D/45x1000N</li> <li>- Test pressure : 6psi</li> <li>- Test time : 8 hrs</li> </ul>	Tightness <1psi <0.1dB per incoming fiber
Torsion	<ul style="list-style-type: none"> <li>- Test pressure : 6psi</li> <li>- Test temperature : -20±2/ 40±2 °C</li> <li>- Torque : 90°→180°→ 90° /2cycle</li> <li>- Torque application : D/46x 10mm from end of cable port</li> </ul>	Tightness <1psi
Flexure	<ul style="list-style-type: none"> <li>- Test pressure : 6psi</li> <li>- Attached to the cable : 10kg</li> <li>- Bending axis : 90°(3 rotation)</li> <li>- Test time : 15 minutes</li> </ul>	Tightness <1psi
Impact	<ul style="list-style-type: none"> <li>- Test pressure : 6psi</li> <li>- Test temperature : -20±2 °C/ 2 hrs</li> <li>- Impact tool : 2.4Kg/d(2.54cm)</li> <li>- Drop height : 1m</li> <li>- Number of impacts : 1</li> </ul>	Tightness <1psi No Cracking

Test Item	Test Methods and conditions	Requirements
Static Load	<ul style="list-style-type: none"> <li>- Test pressure : 6psi</li> <li>- Test temperature : 40±2 °C/ 2 hrs</li> <li>- Load : 1000N/5cm<sup>2</sup></li> <li>- Test time : 15 minutes</li> </ul>	Tightness <1psi No Cracking
Handling Test	<ul style="list-style-type: none"> <li>- Drop height : 76cm</li> <li>- Position angle : 60°</li> </ul>	Tightness <1psi No Cracking
Environment Temperature Cycling	<ul style="list-style-type: none"> <li>- Source wavelength : 1550nm</li> <li>- Temperature condition : -40±2 °C ~ 80±2 °C</li> <li>- Dwell time : 1 hrs</li> <li>- Transition time : 1 hrs</li> <li>- Cycle duration : 8 hrs</li> <li>- Number of cycles : 20</li> <li>- Succession test : Tightness</li> </ul>	Tightness <1psi <0.1dB per incoming fiber
Chemical Resistance	<ul style="list-style-type: none"> <li>- Test pressure : 6psi</li> <li>- Chemical liquid : pH2 HCl, pH12 NaOH, 10%, IGEPAL.</li> <li>- Test time : each 120 hrs</li> </ul>	Tightness <1psi No visible corrosion. No Cracking
Water Immersion test	<ul style="list-style-type: none"> <li>- Depth of water : 1.5m</li> <li>- Test time : 20 days</li> </ul>	Tightness
Dielectric Test	<ul style="list-style-type: none"> <li>- 10kV DC power</li> <li>- Test time : 1 min</li> </ul>	No damage or crack
UV Resistance Test	<ul style="list-style-type: none"> <li>- Xenon lamp of wavelength between 300 and 700nm</li> <li>- UV radiation of 390w/m<sup>2</sup>±10%</li> <li>- Test time : 500 hrs</li> </ul>	Tensile strength < 25%
Re-entry	<ul style="list-style-type: none"> <li>- Sample after cycling : Open, add single cable</li> </ul>	Tightness

## 7. TEST PROCEDURES

### 7.1 Installed Products Test Procedures

Test samples shall be equipped with six organizer trays with two cables installed in outlet ports.

For samples requiring optical testing, a minimum of two fibers shall be spliced inside the closure.

All installations shall be performed according to the supplier's standard installation

instruction and at room temperature, unless otherwise stated.

For pressure access, a valve shall be installed in the upper part of closure.

Testing is at room temperature unless otherwise specified.

When tests are specified at temperatures other than ambient, the samples shall be preconditioned for a period of 4 hours at those temperatures.

## **7.2 Visual Examination**

The closure and components shall be inspected for flaws, defects, pinholes, cracks or inclusions visible to the naked eye.

## **7.3 Tightness Test**

The tightness of installed closures shall be checked by pressuring to 6psi for a period of 15 minutes while immersed in water at room temperature.

A sample shall be considered tight if there is no continuous stream of air bubbles escaping from it.

## **7.4 Residual Loss**

This is defined as a measured attenuation that is exhibited by stable transmission measurements taken before and after a test.

It shall be measured using an optical source and a detector operating at 1550nm.

## **7.5 Fiber Organization**

The effect of the use of the organizer shall be determined by measuring the signal loss using an optical source and a detector operating at 1550nm.

## **7.6 Vibration Test**

The cables extending from a test specimen shall be clamped rigidly at 200mm from the main cable port. The closure shall be mounted on a vibration bank and shall be displaced with a frequency of up to 55 Hz from 5 Hz and an amplitude of 1mm during 1

minutes.

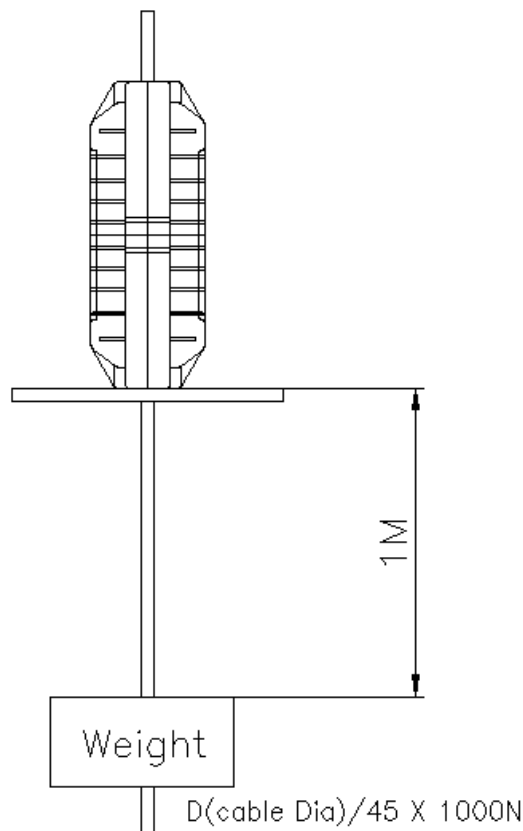
After 2 hours, specimens shall be subjected to the tightness test described in Section 6. Residual loss shall also be determined per Section 6.

**7.7 Axial Tension Test**

The closure assembly shall be clamped, and a force shall be applied to each the extending cables for a period of eight hours. The force shall be calculated according to the equation:  $D$  (cable outer diameter)/45 x1000N, with a maximum of 1000 N.

During the test of the closure shall be pressurized internally to 6 psi.

After completion, specimens shall be subjected to the tightness test described in Section 6. The test shall be repeated for the entire assembly with a load of 1000N being evenly distributed over the cables and closure for eight hours, again followed by the tightness test.

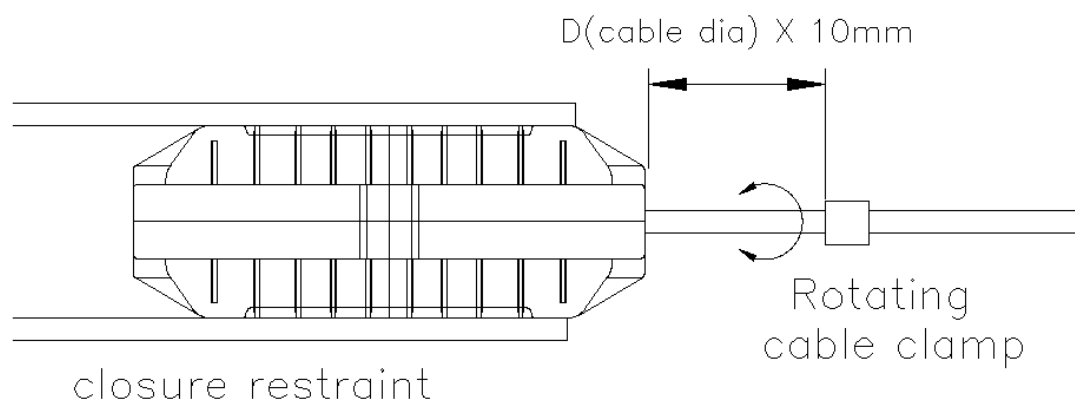




### 7.8 Torsion Test

Test samples shall be pressurized internally to 6 psi. Each extending cable shall in turn be clamped rigidly at a distance  $D(\text{cable outer dia.})/45 \times 10\text{mm}$  from the entrance port.

The closure shall be axially rotated through  $90^\circ$  and retained to its  $180^\circ$  position and the procedure repeated in the opposite direction. The torque applied shall not exceed 50Nm. After two cycles per cable, specimens shall be subjected to the tightness test described in Section 6.

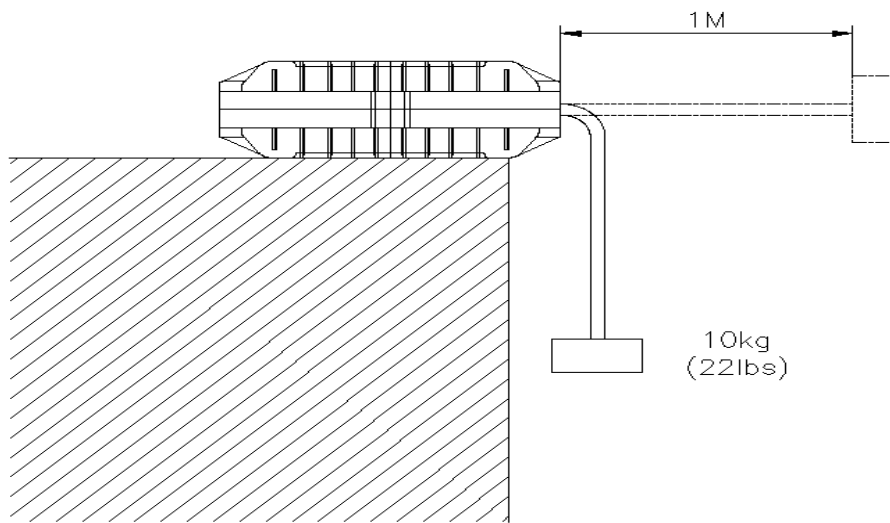


### 7.9 Flexure Test

The closure shall be clamped on a smooth, flat, horizontal surface. Cables shall be clamped at 100cm from the end of the entrance port then bent  $90^\circ$  and the procedure repeated seven rotation in the opposite direction.

Each bending operation shall be held for 15 minutes. The procedure shall be pressurized to 6 psi for the duration to the test.

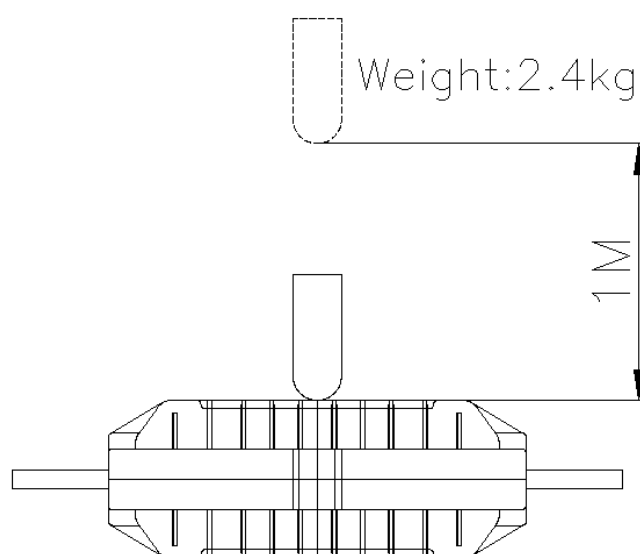
After the test, samples shall be subjected to the tightness test described in Section 6.



**7.10 Impact**

Testing shall be operated after aging at  $-20\pm 2^{\circ}\text{C}$  during the 2 hours. A sample shall be placed on a smooth, flat, horizontal surface with its longitudinal axis parallel to it.

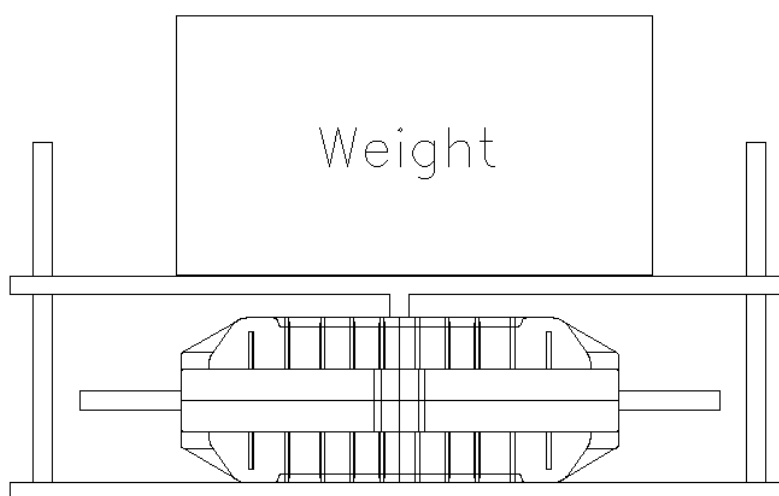
A steel ball weighting 2.4kg shall be suspended at a height of 1 m above the center of the test specimen. The weight shall be allowed to fall under gravity within 30 seconds of preconditioning. For the duration of the test samples shall be internally pressurized to 6 psi. After visual inspection with the naked eye. The samples shall be subjected to the tightness test described in Section 6.



### 7.11 Static Load Test

Testing shall be operated after aging at  $40\pm 2^{\circ}\text{C}$  during the 2 hours.

A static load of 1000N shall be placed on the closure using a circular compression dia of  $5\text{cm}^2$  surface area. The load shall be applied for 15 minutes within 30 seconds of preconditioning. Sample shall be pressurized during the test with an internal pressure of 6 psi. After completing the test, sample shall be examined with the naked eye and then be subjected to the tightness test described in Section 6.



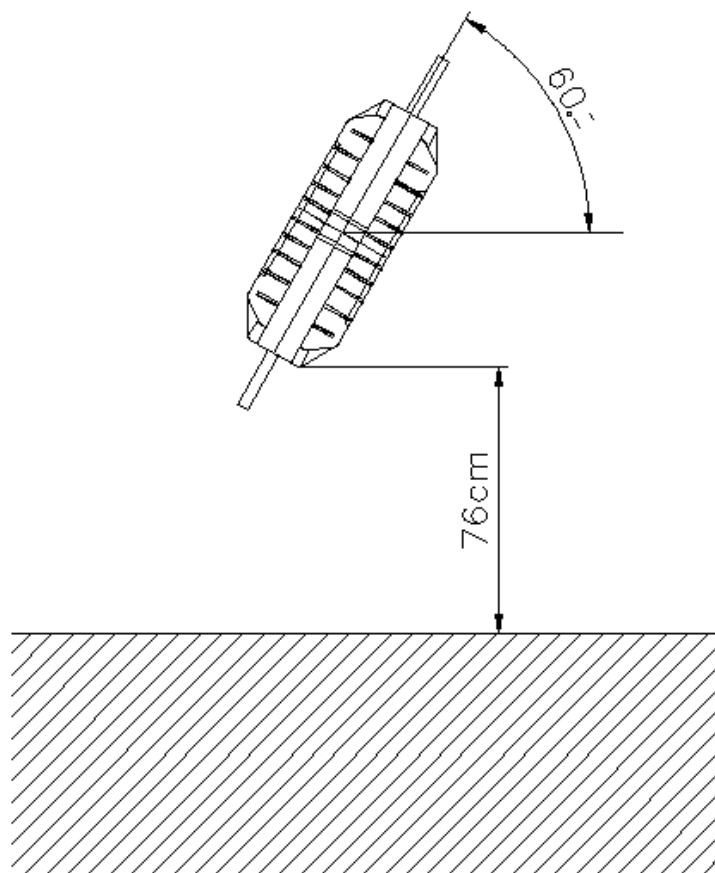
### 7.12 Handling Test

The test assembly shall be as shown in the following diagram.

Cable clamping shall allow cable rotation but shall restrict sideways or longitudinal movement.

The sample shall be positioned as shown in the diagram so that it touches a concrete floor at an angle of  $60^{\circ}$ . It shall then be lifted to a height of 76cm and allowed to fall back to the floor..

Subsequently it shall be examined for cracks with the naked eye, then to the tightness test described in Section 6.



### 7.13 Environmental Cycling Test

Installed closure shall be pressurized internally to 6 psi. at room temperature, sealed, then placed in an environmental test chamber.

Samples shall be supported in racks during testing in such a way that they are thermally isolated. There shall be free circulation of air both between specimens and between the specimens and the chamber surfaces.

They shall be subjected to 20 cycles defined as follows:

4 hrs -40 to 80°C, 1 hrs -40°C

2 hrs 20°C, 1 hrs 80°C

After testing, samples shall be subjected to the tightness test described in Section 6.

Residual loss shall also be measured as per Section 6.

**7.14 Chemical Resistant Test**

Installed closure shall be pressurized internally to 6 psi.

One closure assembly shall be immersed in each of the four test fluids for a minimum of 120 hours. After the test period, the splice closures shall be removed from the test fluid and allowed to dry for a minimum of 24 hours at the ambient room temperature.

After testing, samples shall be subjected to the tightness test described in Section 6.

The closure and components shall be inspected for visible corrosion.

**7.15 Water Immersion Test**

The complete closure assembly shall be subjected to water head in a water tank, or pressure vessel with a hydrostatic head equivalent to 1.5m of water at the ambient room temperature, for 20 days.

After the 20-day period the closure shall be opened and examined for fluoresce in contamination, using an ultraviolet light source.

**7.16 Dielectric Test**

Measure the thickness of the thinnest part of the closure. Prepare a specimen with the corresponding thickness and apply 10kV DC power for 1 minute. There shall be no damage on the specimen

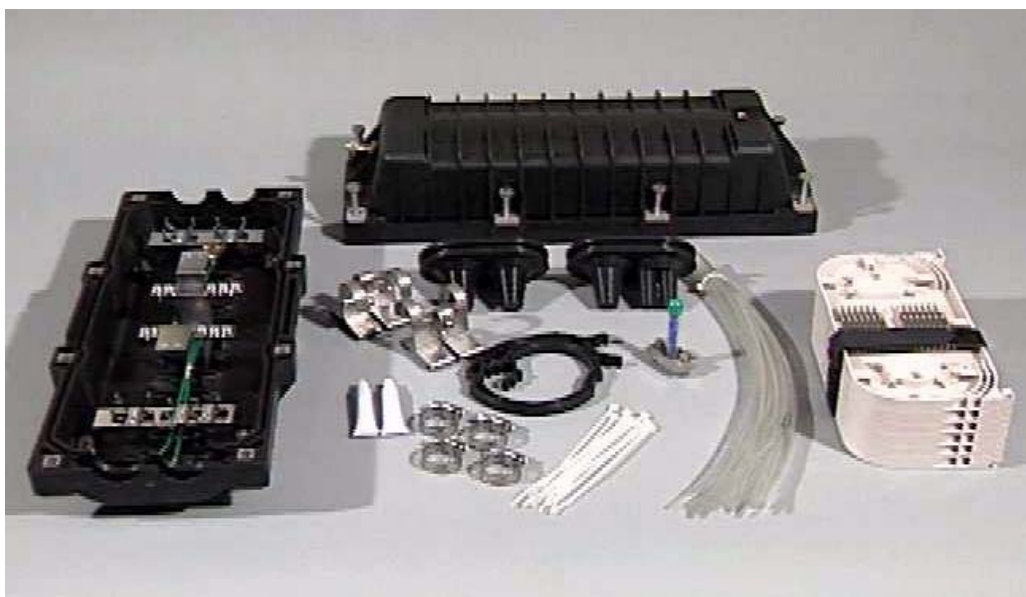
**7.17 UV Resistance Test**

Measure and record the tensile strength of 5 test bars per ASTM D 638 using a crosshead speed of 50mm/min.

Using the xenon lamp of wavelength between 300 and 700nm, expose the 5 test bars to UV radiation of  $390\text{w/m}^2 \pm 10\%$  for 500 hours

Repeat the tensile strength measurements on the exposed test bars.

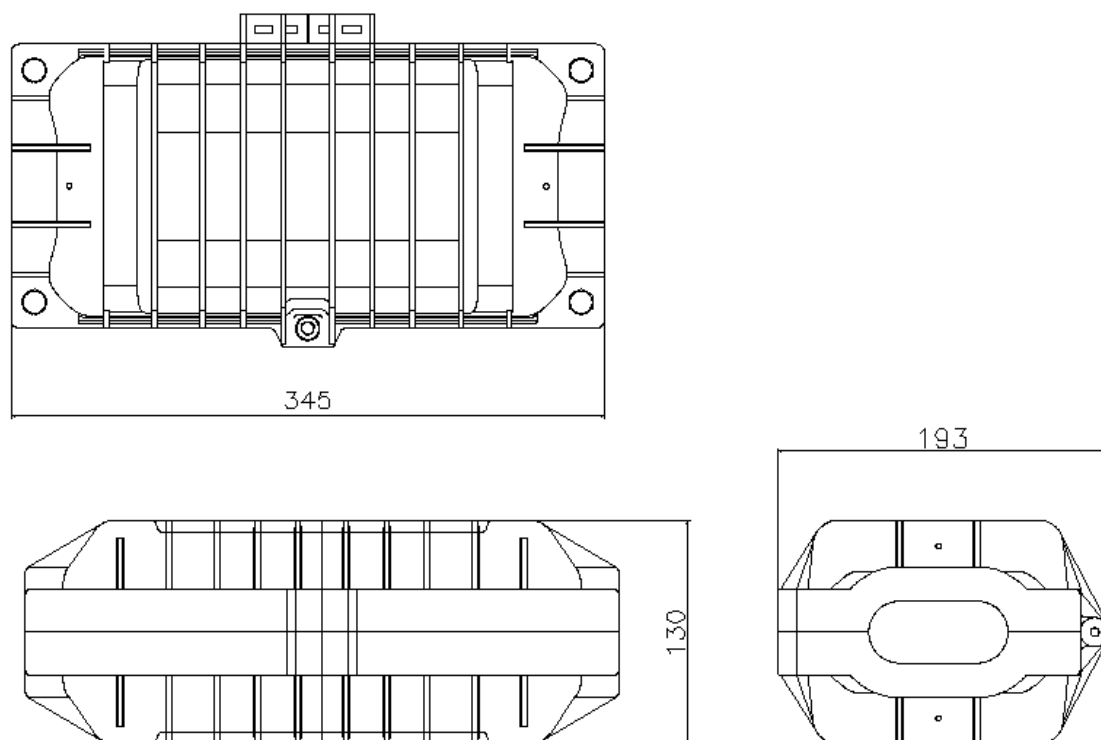
**7. Kit Contents**



NO.	Descriptions	Quantity		
		FOCSS	FOCS	FOCM
1	Housing	1 Pair	1 Pair	1 Pair
2	Side Gasket	1 Pair	1 Pair	1 Pair
3	End Gasket	1 Pair	1 Pair	1 Pair
4	Splice Tray	User define		
5	Bracket	1	1	1
6	Grounding Wire	1 Pair	1 Pair	1 Pair
7	Grounding terminal	1	1	1
8	Bolt/Nut	5	8	8
9	Vacuum Grease/ Sealant	10g/option	10g/option	10g/option
10	Hose Clamp	12 EA	12 EA	12 EA
11	Cable Ties	12 EA	12 EA	12 EA
12	Protection tube	12 EA	6~12 EA	24 EA
13	Air Check Valve	1	1	1
14	Installation Manual	1	1	1
15	Support Bracket	Option		

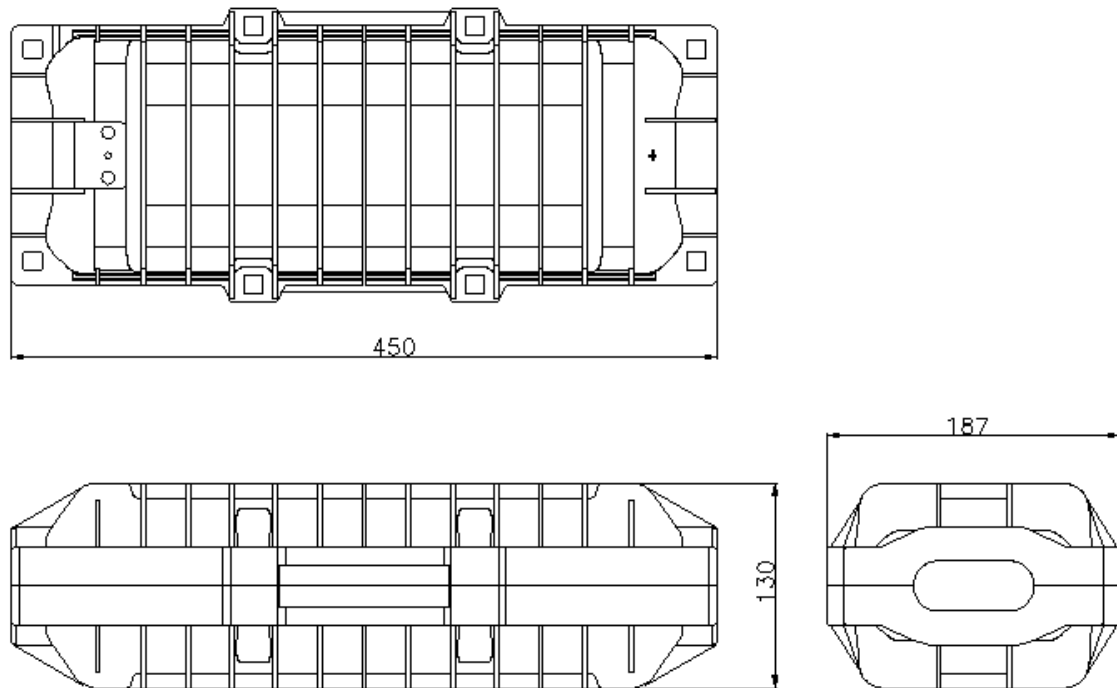
## 8. Dimension Specification

### 8.1 FOCSS



1. Dimensions (mm): 345(l)×193(w)×130(h)
2. Capacity : 48 Fibers (for loose tube cable)  
128 Fibers (for Ribbon slot cable)
3. Up to 4 splice trays can be enclosed.
4. It has three cable entrance ports on each end.  
(max. 6 cable entrance ports)
5. Weight: 3.9 Kg

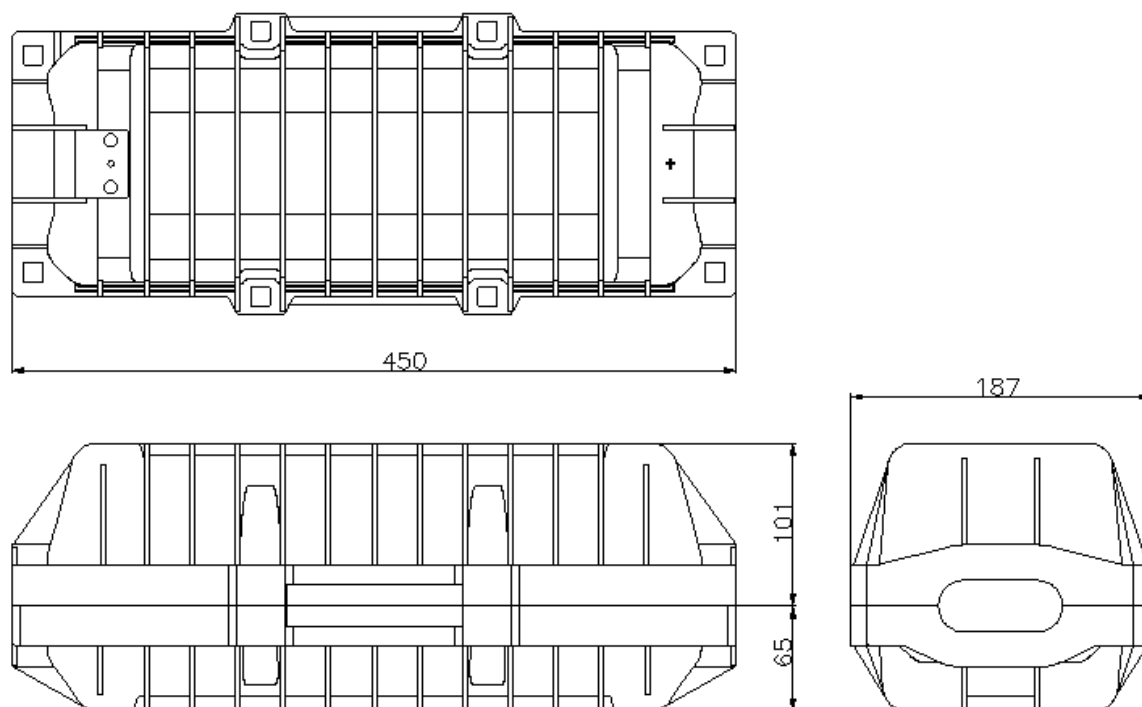
## 8.2 FOCS



1. Dimensions (mm): 450(l)×187(w)×130(h)
2. Capacity: 72 Fibers (for loose tube cable)  
192 Fibers (for Ribbon slot cable)
3. Up to 3 splice trays can be enclosed.
4. It has two or three cable entrance ports on each end.  
(max. 6 cable entrance ports)
5. Weight: 5.0 Kg

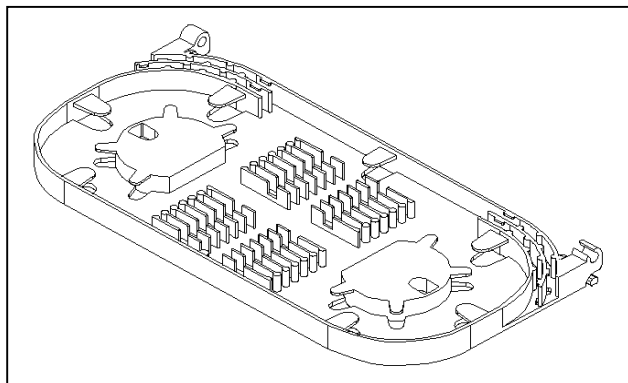


### 8.3 FOCM



1. Dimensions (mm): 450(l)×187(w)×166(h)
2. Capacity: 144 Fibers (for loose tube cable)  
384 Fibers (for Ribbon slot cable)
3. Up to 6 splice trays can be enclosed.
4. It has two or three cable entrance ports on each end.  
(max. 6 cable entrance ports)
5. Weight: 5.7 Kg

### 8.4 OST-A-1



1. Dimensions (mm): 225(l)×108(w)×12(h)

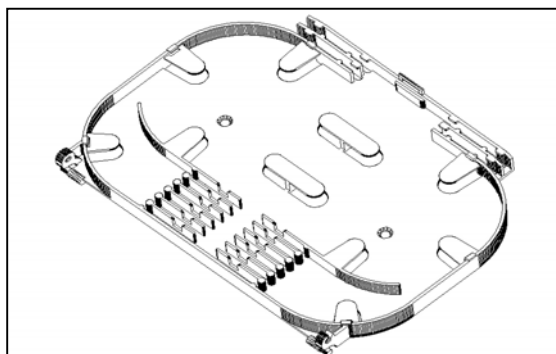
2. Capacity: Heat shrinkable tube: 24 Fibers.

Mechanical splice protector: 12 Fibers.

Ribbon: 64 Fibers/tray

3. It can be installed heat shrinkable tube, mechanical splice protector and ribbon splice protector without other components.

### 8.5 OST-B-1



1. Dimensions (mm): 168(l)×119(w)×9(h)

2. Capacity: Heat shrinkable tube: 12 Fibers.

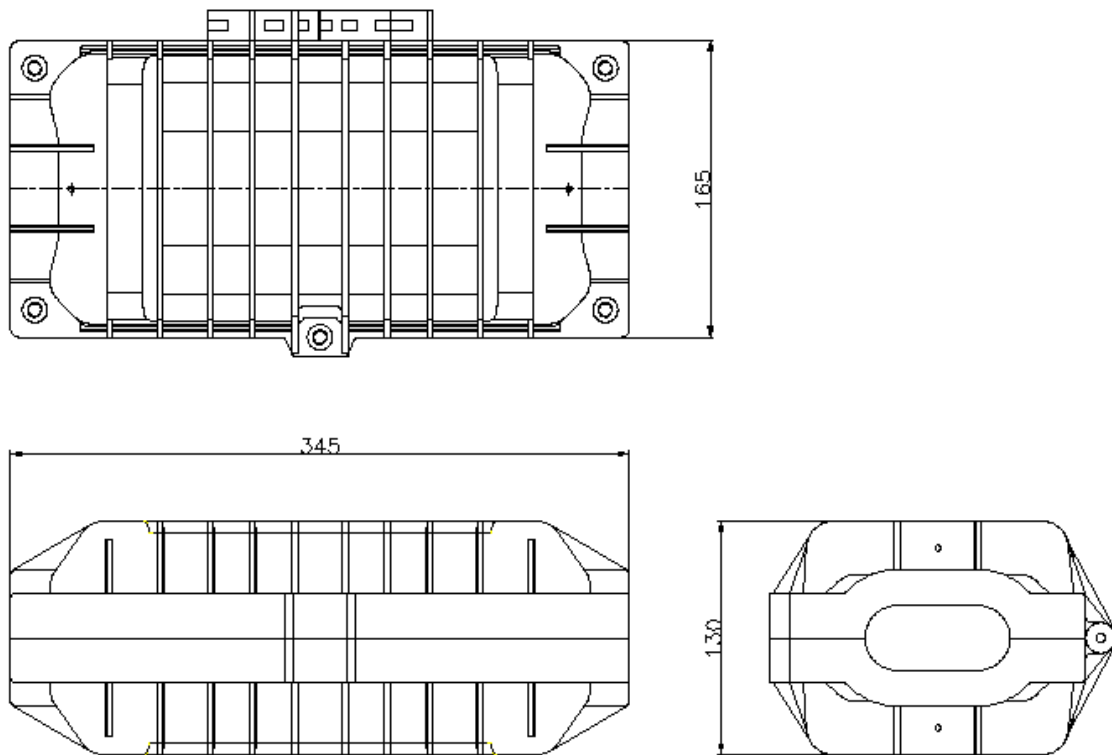
Mechanical splice protector: 6 Fibers.

Ribbon: 48 Fibers/tray

3. It can be installed heat Shrinkable tube, mechanical splice protector and ribbon splice protector without other components

Spec No.	NWCSC-0105-01	<b>Housing (FOCSS)</b>
Code No.	OFC 1220	
Initial	2000. 03. 02	
Revised	2003. 03. 12	

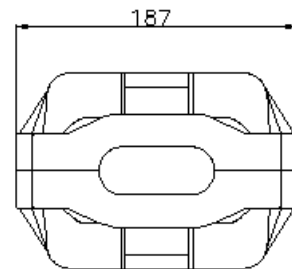
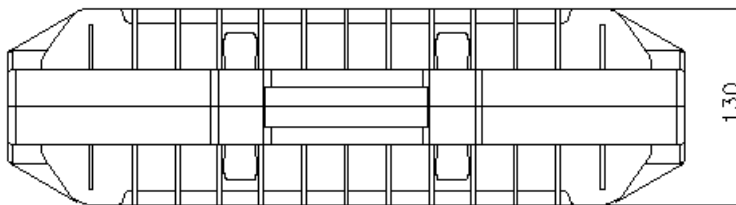
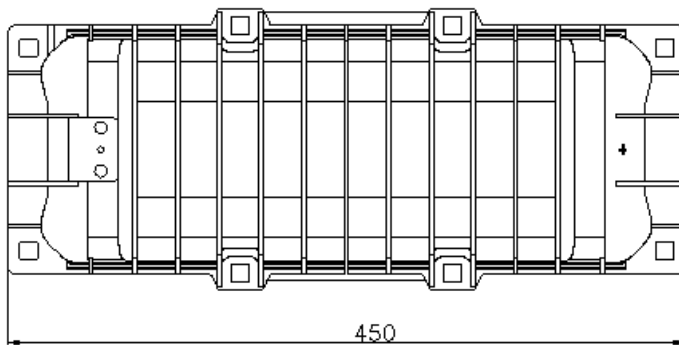
Unit : mm  
Tolerance : ± 1.0



No.	Item	Material	Qty	Remark
1	Housing (FOCM)	PP + G/F 40%	1	

Spec No.	NWCSC-0105-01	<b>Housing (FOCS)</b>
Code No.	OFC 1201	
Initial	2000. 03. 02	
Revised	2003. 03. 12	

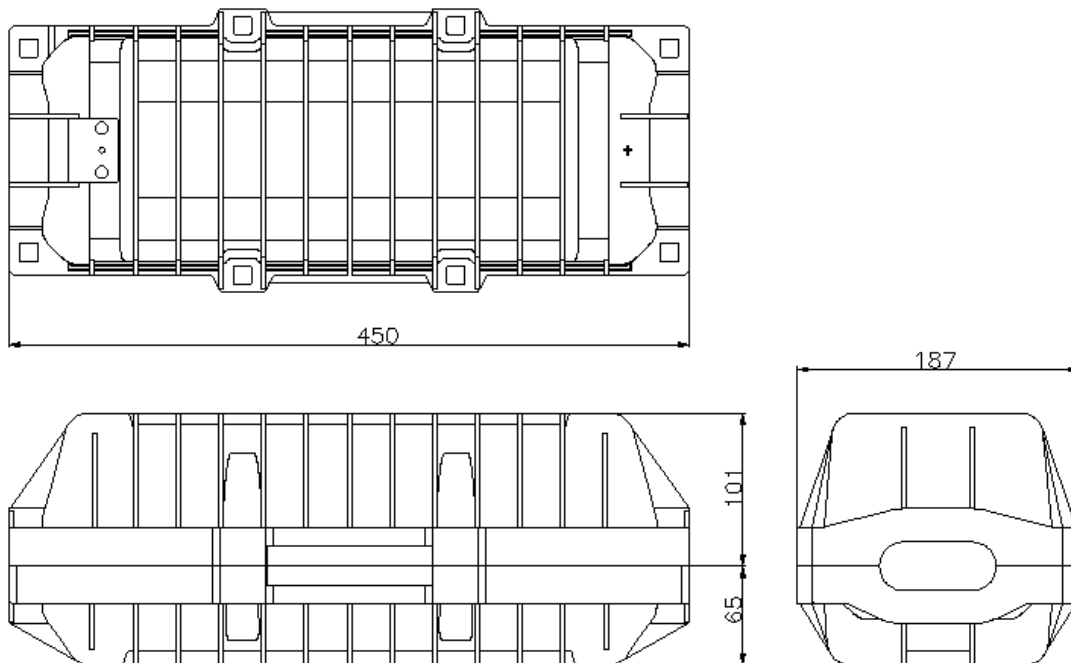
Unit : mm  
Tolerance : ± 1.0



No.	Item	Material	Qty	Remark
1	Housing (FOCS)	PP + G/F 40%	1	

Spec No.	NWCSC-0105-01	<b>Housing (FOCM)</b>
Code No.	OFC 1300	
Initial	2000. 03. 02	
Revised	2003. 03. 12	

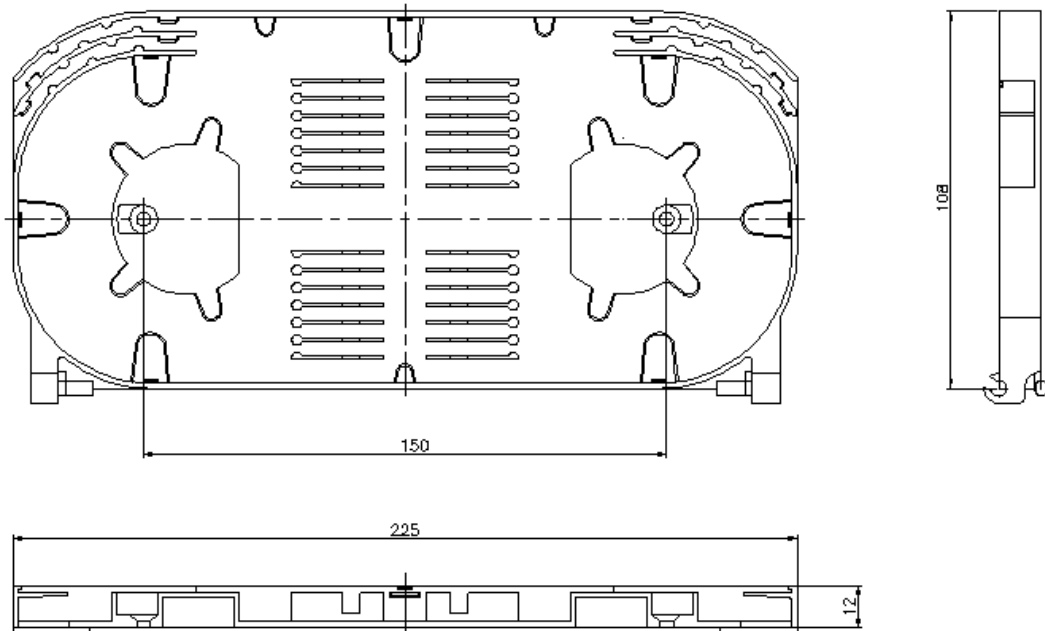
Unit : mm  
Tolerance : ± 1.0



No.	Item	Material	Qty	Remark
1	Housing (FOCSS)	PP + G/F 40%	1	

Spec No.	NWCSC-0105-01	<b>Splice Tray (OST-24)</b>
Code No.	OFC 1216	
Initial	2000. 03. 02	
Revised	2003. 03. 12	

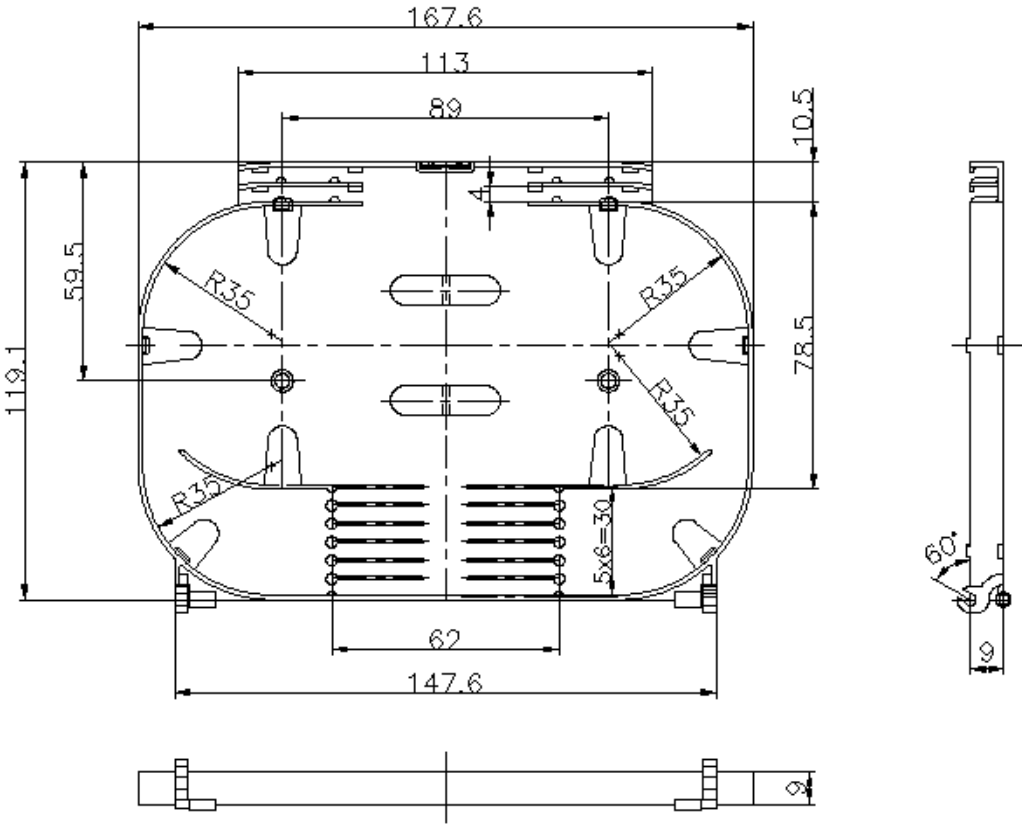
Unit : mm  
Tolerance : ± 1.0



No.	Item	Material	Qty	Remark
1	Splice Tray (OST-24)	PC / ABS Alloy	1	

Spec No.	NWCSC-0105-01	<b>Splice Tray (OST-12)</b>
Code No.	OFC 1228	
Initial	2000. 03. 02	
Revised	2003. 03. 12	

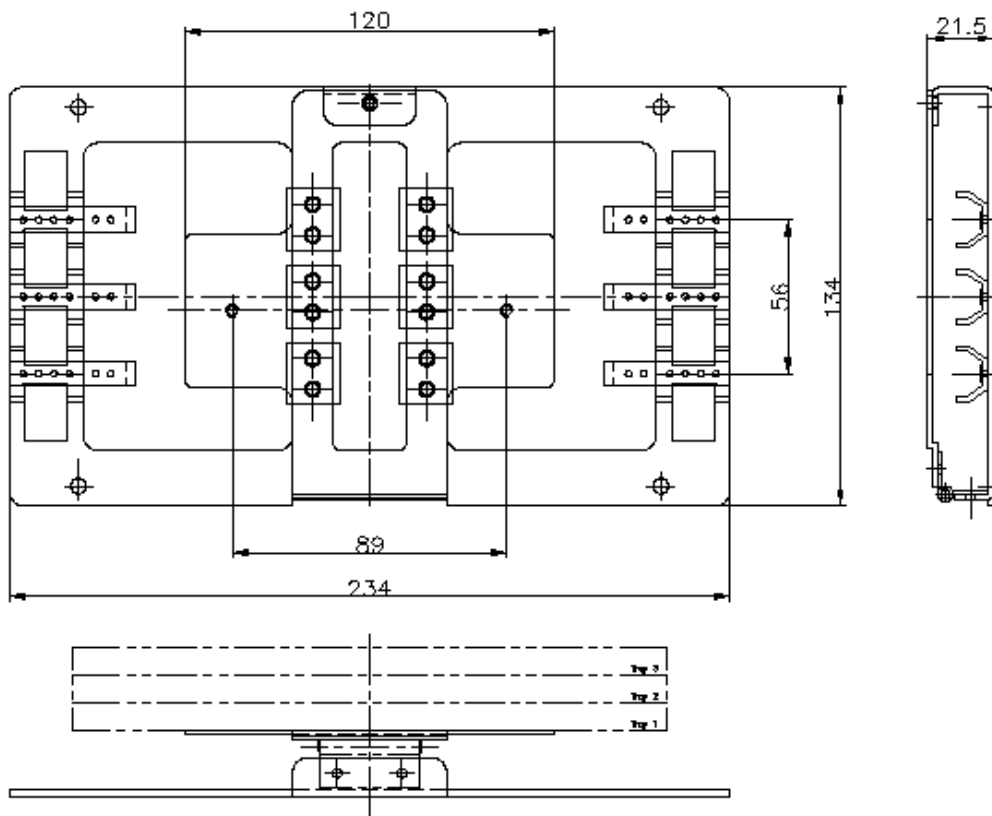
Unit : mm  
Tolerance : ± 1.0



No.	Item	Material	Qty	Remark
1	Splice Tray (OST-12)	PC / ABS Alloy	1	

Spec No.	NWCSC-0105-01	<b>Inner Bracket (for FOCSS)</b>
Code No.	OFC 1225	
Initial	2000. 03. 02	
Revised	2003. 03. 12	

Unit : mm  
Tolerance : ± 1.0

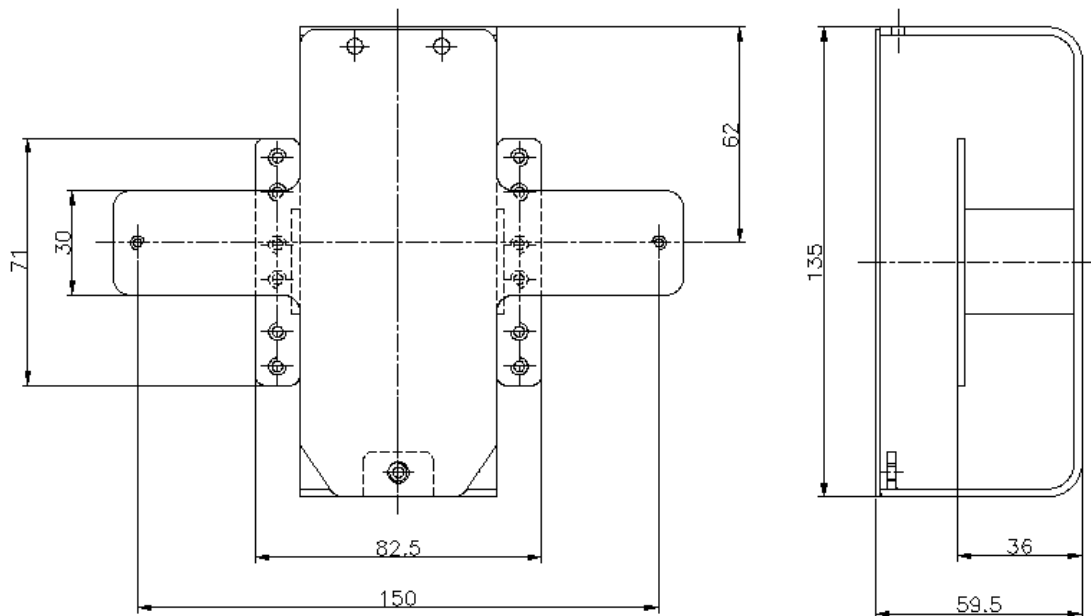


No.	Item	Material	Qty	Remark
1	Inner Bracket (for FOCSS)	Coated SPCC	1	



Spec No.	NWCSC-0105-01	<b>Inner Bracket (for FOCS/M)</b>
Code No.	OFC 1312	
Initial	2000. 03. 02	
Revised	2003. 03. 12	

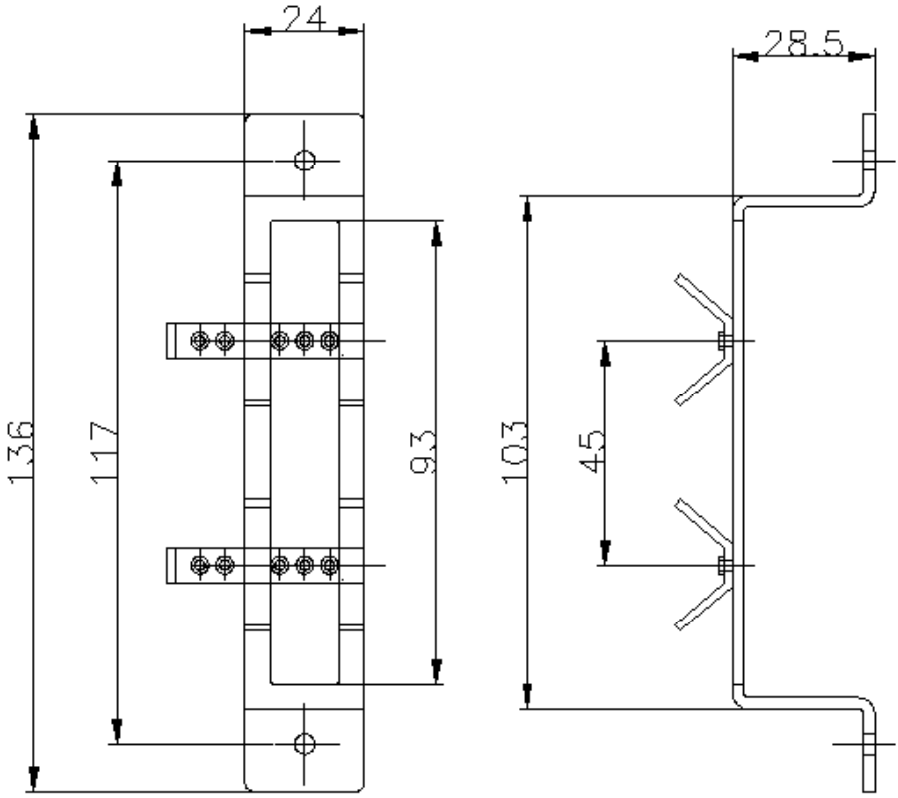
Unit : mm  
Tolerance : ± 1.0



No.	Item	Material	Qty	Remark
1	Inner Bracket (for FOCS/M)	Coated SPCC	1	

Spec No.	NWCSC-0105-01	<b>Inner Bracket-2 (for FOCS/M)</b>
Code No.	OFC 1313	
Initial	2000. 03. 02	
Revised	2003. 03. 12	

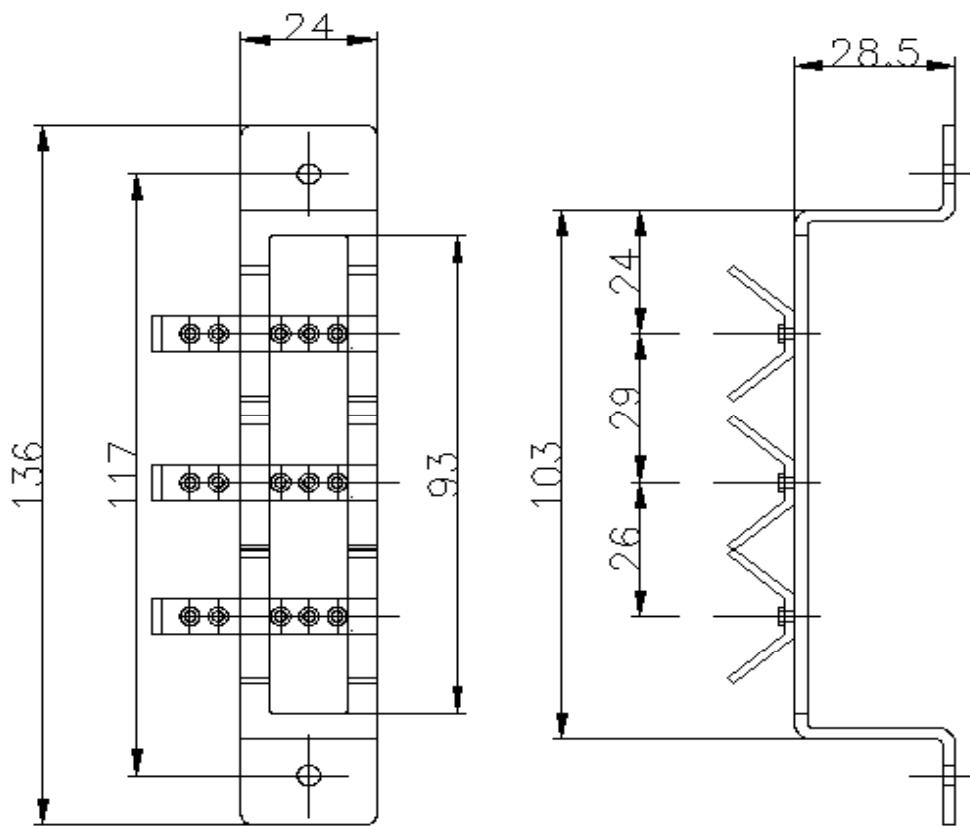
Unit : mm  
Tolerance : ± 1.0



	Item	Material	Qty	Remark
1	Inner Bracket-2 (for FOCS/M)	Coated SPCC	1	

Spec No.	NWCSC-0105-01	<b>Inner Bracket-3 (for FOCS/M)</b>
Code No.	OFC 1314	
Initial	2000. 03. 02	
Revised	2003. 03. 12	

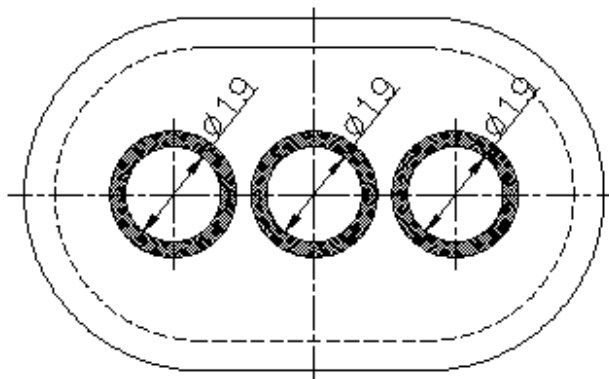
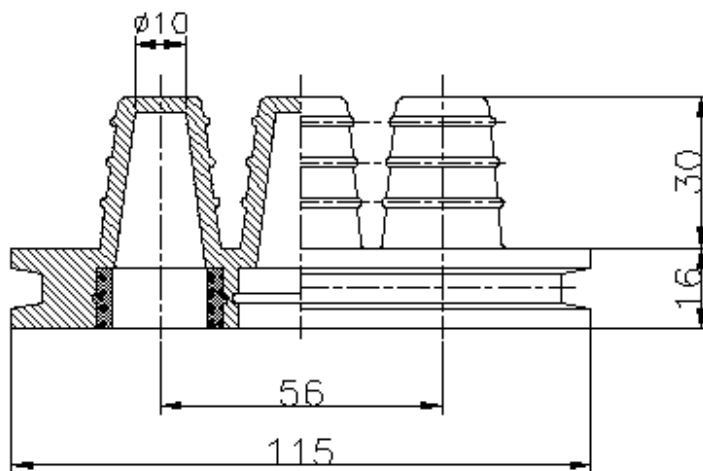
Unit : mm  
Tolerance : ± 1.0



No.	Item	Material	Qty	Remark
1	Inner Bracket-3 (for FOCS/M)	Coated SPCC	1	

Spec No.	NWCSC-0105-01	<b>END CAP - 19</b>
Code No.	OFC 1301	
Initial	2000. 03. 02	
Revised	2003. 03. 12	

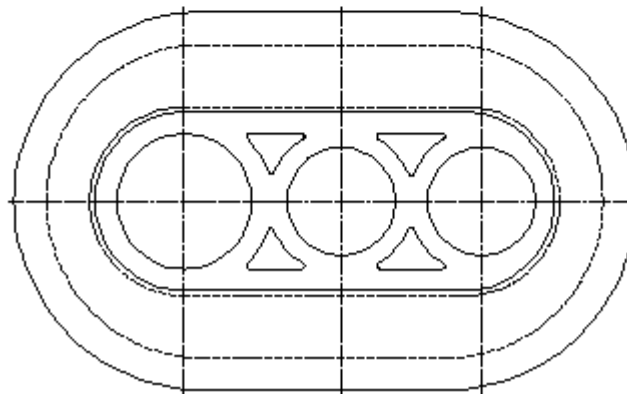
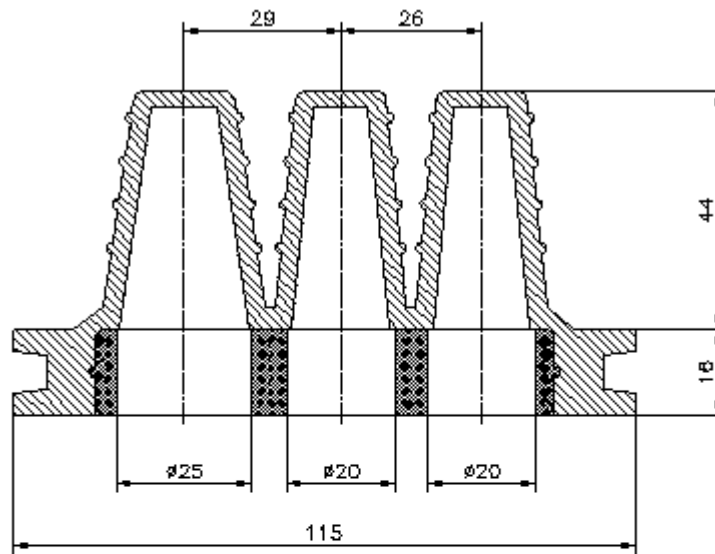
Unit : mm  
Tolerance : ± 1.0



No.	Item	Material	Qty	Remark
1	END CAP-19	Silicon	1	

Spec No.	NWCSC-0105-01	<b>END CAP - 24</b>
Code No.	OFC 1214	
Initial	2000. 03. 02	
Revised	2003. 03. 12	

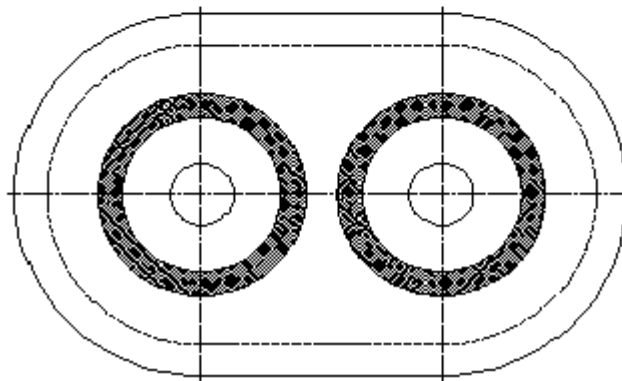
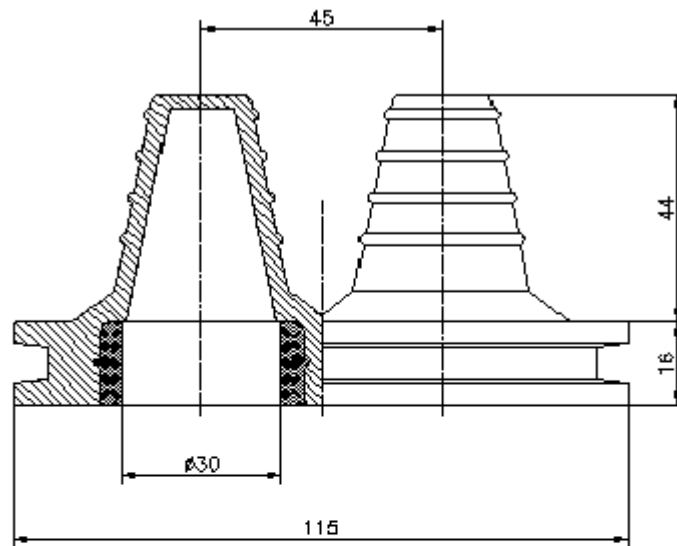
Unit : mm  
Tolerance : ± 1.0



No.	Item	Material	Qty	Remark
1	END CAP-24	Silicon	1	

Spec No.	NWCSC-0105-01	<b>END CAP - 29</b>
Code No.	OFC 1222	
Initial	2000. 03. 02	
Revised	2003. 03. 12	

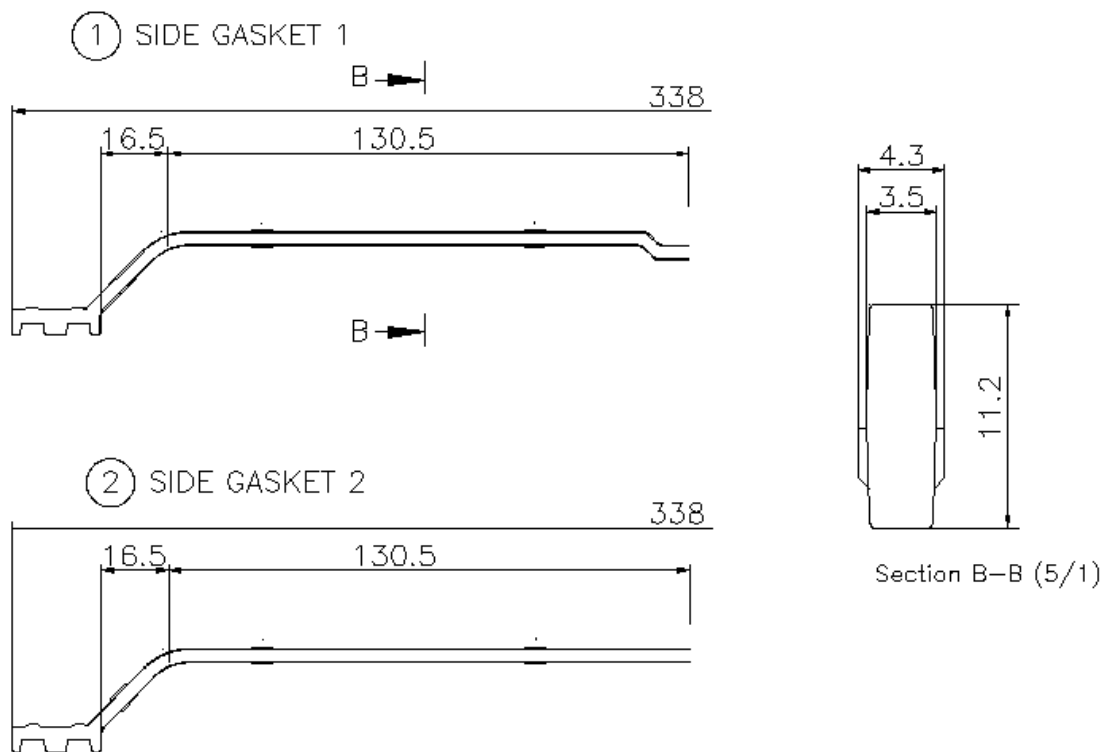
Unit : mm  
Tolerance : ± 1.0



No.	Item	Material	Qty	Remark
1	END CAP-29	Silicon	1	

Spec No.	NWCSC-0105-01	<b>Side Gasket (for FOCSS)</b>
Code No.	OFC 1226 / 1227	
Initial	2000. 03. 02	
Revised	2003. 03. 12	

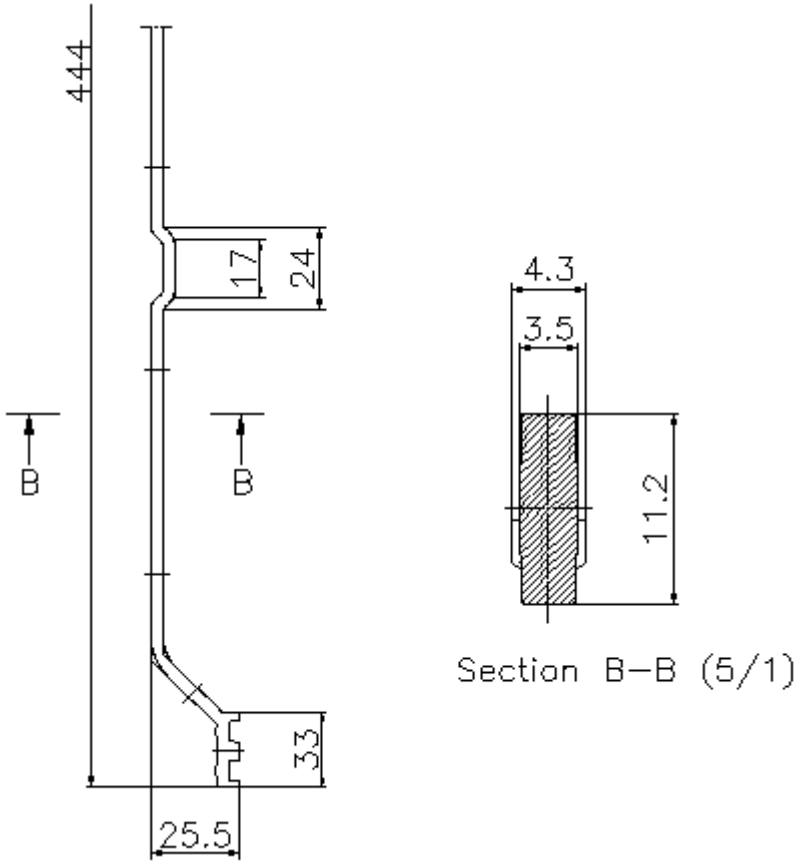
Unit : mm  
Tolerance : ± 1.0



No.	Item	Material	Qty	Remark
1	Side Gasket (for FOCSS)	Silicon	1	

Spec No.	NWCSC-0105-01	<b>Side Gasket (for FOCS/M)</b>
Code No.	OFC 1212	
Initial	2000. 03. 02	
Revised	2003. 03. 12	

Unit : mm  
Tolerance : ± 1.0



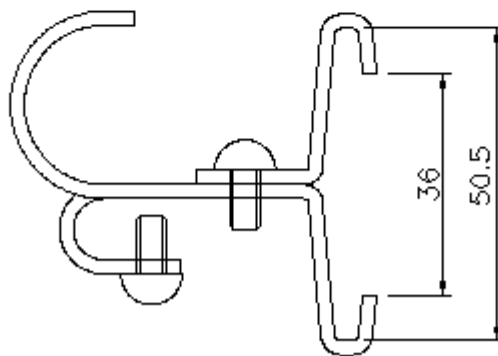
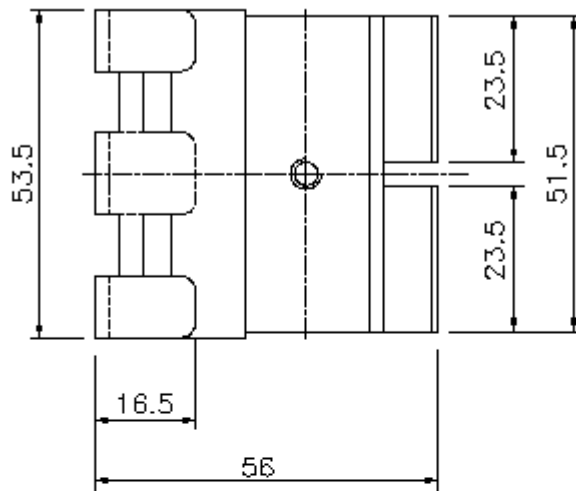
Section B-B (5/1)

No.	Item	Material	Qty	Remark
1	Side Gasket (for FOCS/M)	Silicon	1	



Spec No.	NWCSC-0105-01	<b>Mounting Bracket</b>
Code No.	OFC 1213	
Initial	2000. 03. 02	
Revised	2003. 03. 12	

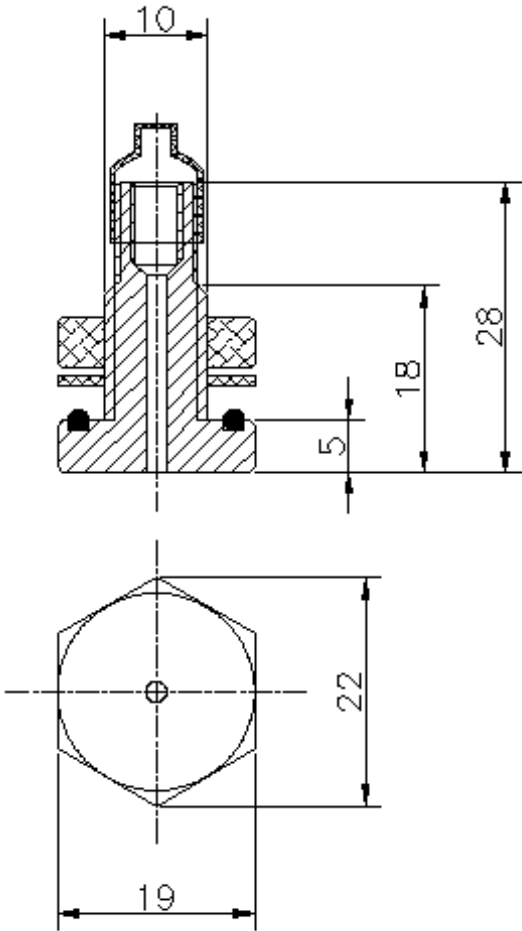
Unit : mm  
Tolerance : ± 1.0



No.	Item	Material	Qty	Remark
1	Mounting Braket	SUS 304	1	

Spec No.	NWCSC-0105-01	<b>Air Check Valve</b>
Code No.	OFC 1203	
Initial	2000. 03. 02	
Revised	2003. 03. 12	

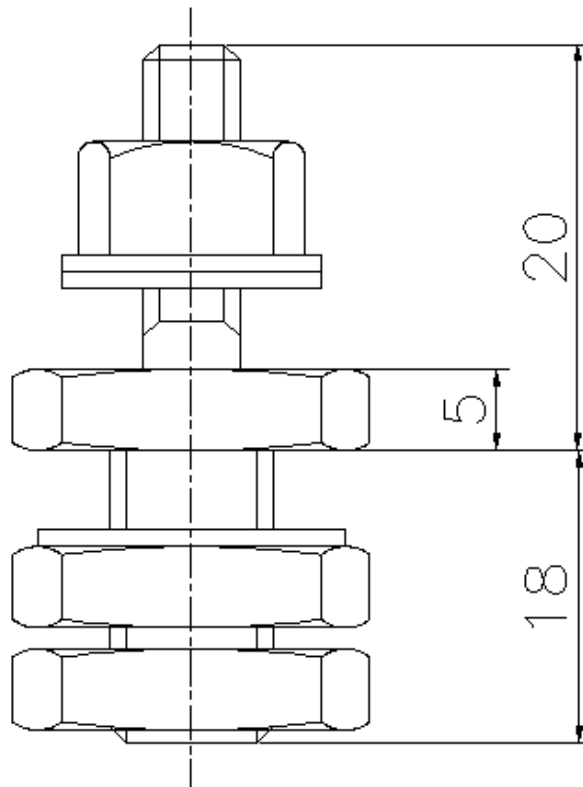
Unit : mm  
Tolerance : ± 1.0



No.	Item	Material	Qty	Remark
1	Air Check Valve	Ni-Cr coated Brass	1	

Spec No.	NWCSC-0105-01	<b>Grounding Terminal</b>
Code No.	OFC 1205	
Initial	2000. 03. 02	
Revised	2003. 03. 12	

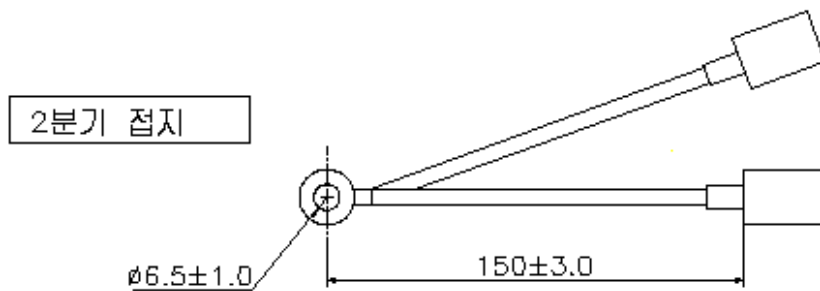
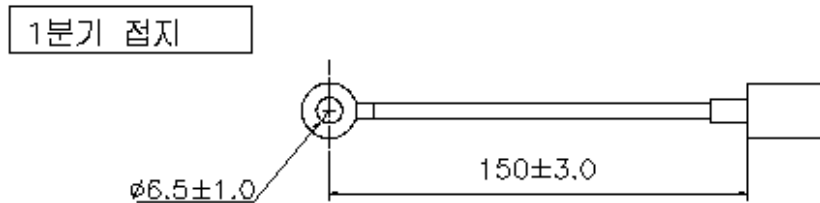
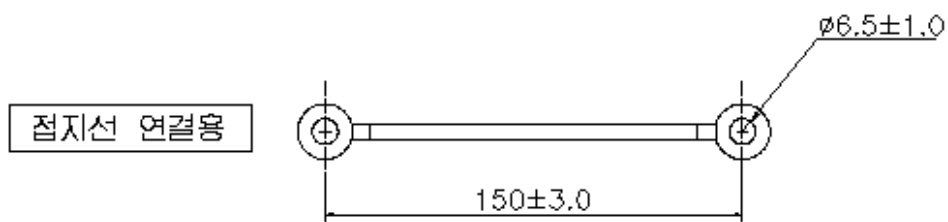
Unit : mm  
Tolerance : ± 1.0



No.	Item	Material	Qty	Remark
1	Grounding Terminal	Ni-Cr coated Brass	1	

Spec No.	NWCSC-0105-01	<b>Grounding Wire</b>
Code No.	OFC 1207/1208/1209	
Initial	2000. 03. 02	
Revised	2003. 03. 12	

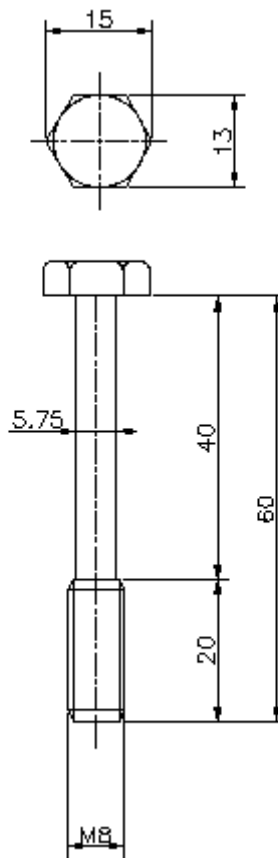
Unit : mm  
Tolerance : ± 1.0



No.	Item	Material	Qty	Remark
1	Grounding Wire	KIV 2mm <sup>2</sup>	1	

Spec No.	NWCSC-0105-01	<b>BOLT</b>
Code No.	OFC 1219	
Initial	2000. 03. 02	
Revised	2003. 03. 12	

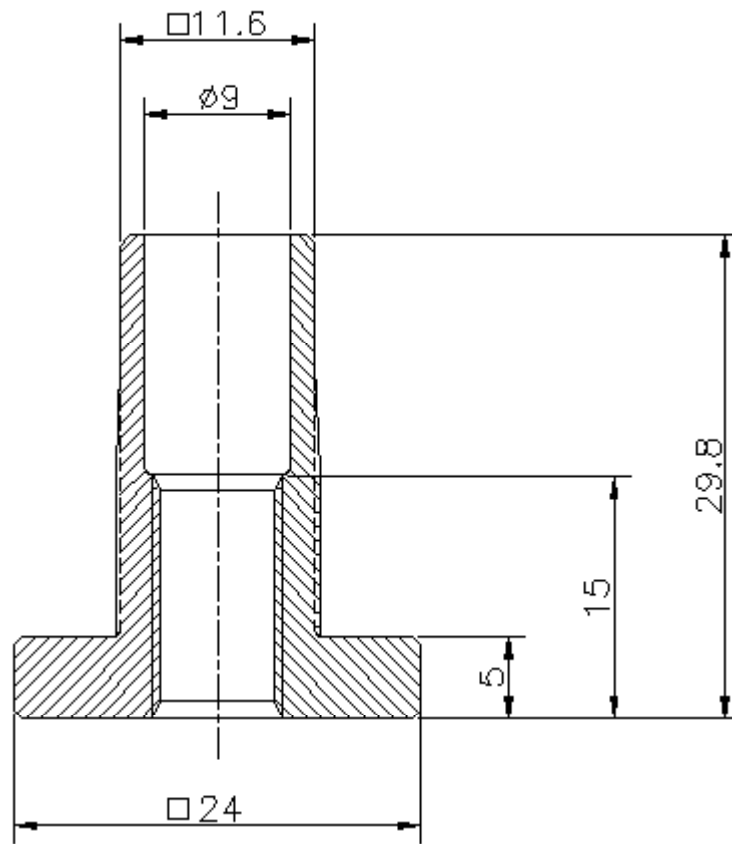
Unit : mm  
Tolerance : ± 1.0



No.	Item	Material	Qty	Remark
1	BOLT	SUS 304	1	

Spec No.	NWCSC-0105-01	<b>NUT</b>
Code No.	OFC 1202	
Initial	2000. 03. 02	
Revised	2003. 03. 12	

Unit : mm  
Tolerance : ± 1.0



No.	Item	Material	Qty	Remark
1	NUT	SUS 304	1	